

## CT Style HPT Nozzles

High Pressure Turret Nozzles



**LOC-LINE**  
THE ORIGINAL MODULAR HOSE SYSTEM

CT Style HPT Nozzles feature an ultra compact design for tight spaces

All packages with nozzle lengths greater than .000 contain an adjustment lever to aid in easy and accurate aiming of the nozzle. Nozzles with a length of .000 may be adjusted by inserting an appropriately sized allen wrench.

### General Features:

Turret rotates independently of the nut for full range of motion

### Material:

Acetal Body/Stainless steel nozzle

### Max Pressure:

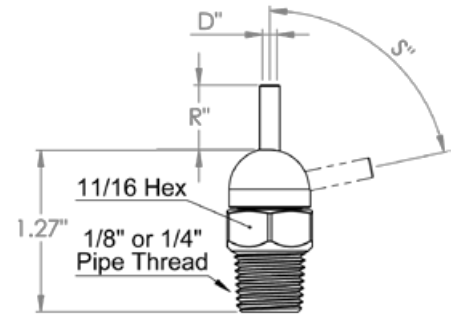
1,000Psi/69Bar

### Max Temperature:

115F/46C



Adjustment lever



### CT Style HPT Nozzles

2 pc Pack Product ID	10 pc Pack Product ID	Thread Size	Hole Diameter (D) "	Reach (R) "	Swing (S)	Hole Diameter (D) mm	Reach (R) mm
LL72010	LL79010	1/8"	0.062	.000	72 Deg	1.6	0.0
LL72011	LL79011	1/8"	0.062	.250	72 Deg	1.6	6.4
LL72012	LL79012	1/8"	0.062	.500	72 Deg	1.6	12.7
LL72013	LL79013	1/8"	0.062	1.250	72 Deg	1.6	31.8
LL72014	LL79014	1/8"	0.086	.000	72 Deg	2.2	0.0
LL72015	LL79015	1/8"	0.086	.250	72 Deg	2.2	6.4
LL72016	LL79016	1/8"	0.086	.500	72 Deg	2.2	12.7
LL72017	LL79017	1/8"	0.086	1.250	72 Deg	2.2	31.8
LL72018	LL79018	1/8"	0.117	.000	72 Deg	3.0	0.0
LL72019	LL79019	1/8"	0.117	.250	72 Deg	3.0	6.4
LL72020	LL79020	1/8"	0.117	.500	72 Deg	3.0	12.7
LL72021	LL79021	1/8"	0.117	1.250	72 Deg	3.0	31.8
LL72022	LL79022	1/8"	.160	.000	70 Deg	4.1	0.0
LL72023	LL79023	1/8"	.160	.250	70 Deg	4.1	6.4
LL72024	LL79024	1/8"	.160	.500	70 Deg	4.1	12.7
LL72025	LL79025	1/8"	.160	1.250	70 Deg	4.1	31.8
LL72060	LL79060	1/4"	0.062	.000	72 Deg	1.6	0.0
LL72061	LL79061	1/4"	0.062	.250	72 Deg	1.6	6.4
LL72062	LL79062	1/4"	0.062	.500	72 Deg	1.6	12.7
LL72063	LL79063	1/4"	0.062	1.250	72 Deg	1.6	31.8
LL72064	LL79064	1/4"	0.086	.000	72 Deg	2.2	0.0
LL72065	LL79065	1/4"	0.086	.250	72 Deg	2.2	6.4
LL72066	LL79066	1/4"	0.086	.500	72 Deg	2.2	12.7
LL72067	LL79067	1/4"	0.086	1.250	72 Deg	2.2	31.8
LL72068	LL79068	1/4"	0.117	.000	72 Deg	3.0	0.0
LL72069	LL79069	1/4"	0.117	.250	72 Deg	3.0	6.4
LL72070	LL79070	1/4"	0.117	.500	72 Deg	3.0	12.7
LL72071	LL79071	1/4"	0.117	1.250	72 Deg	3.0	31.8
LL72072	LL79072	1/4"	.160	.000	70 Deg	4.1	0.0
LL72073	LL79073	1/4"	.160	.250	70 Deg	4.1	6.4
LL72074	LL79074	1/4"	.160	.500	70 Deg	4.1	12.7
LL72075	LL79075	1/4"	.160	1.250	70 Deg	4.1	31.8

### Additional Levers

2 pc Pack Product ID	10 pc Pack Product ID
LL72000	LL79000

### Black or Grey HPT Nozzles

10pc packages of HPT Nozzles are also available in black or grey by special order. Please contact the Filtermist Sales Office for further details.

### Sales Enquiries

T: +44 (0)1746 765361 F: +44 (0)1746 767807 E: sales@filtermist.com

[www.filtermist.co.uk](http://www.filtermist.co.uk)